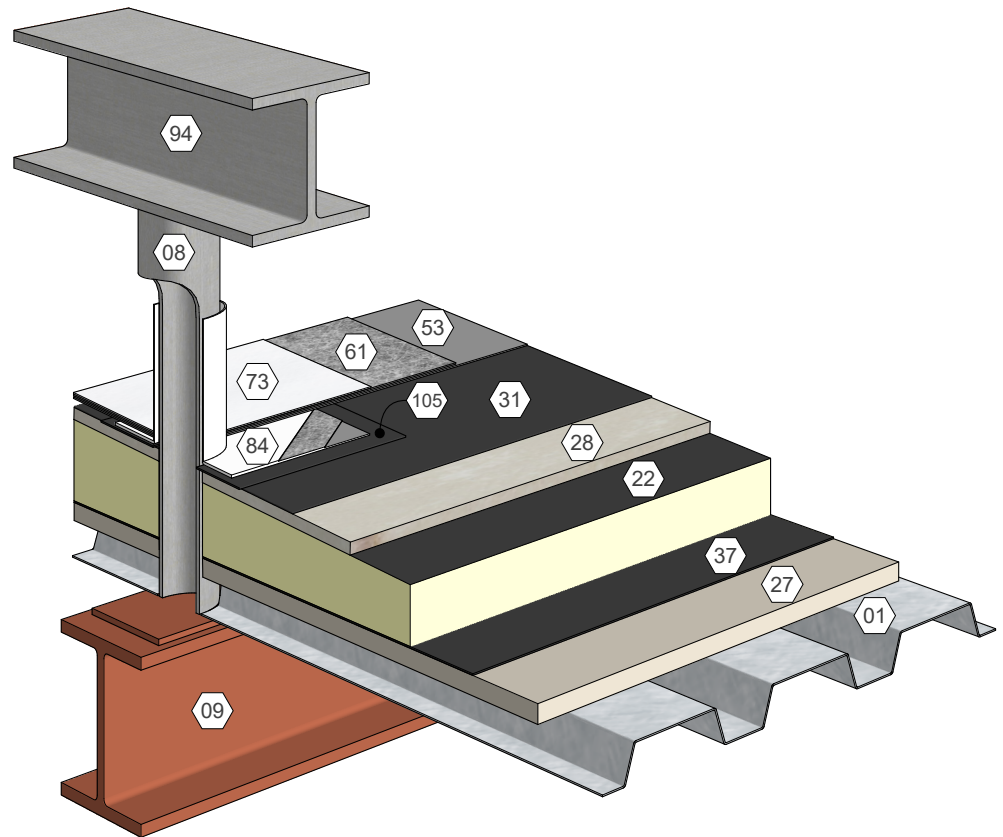
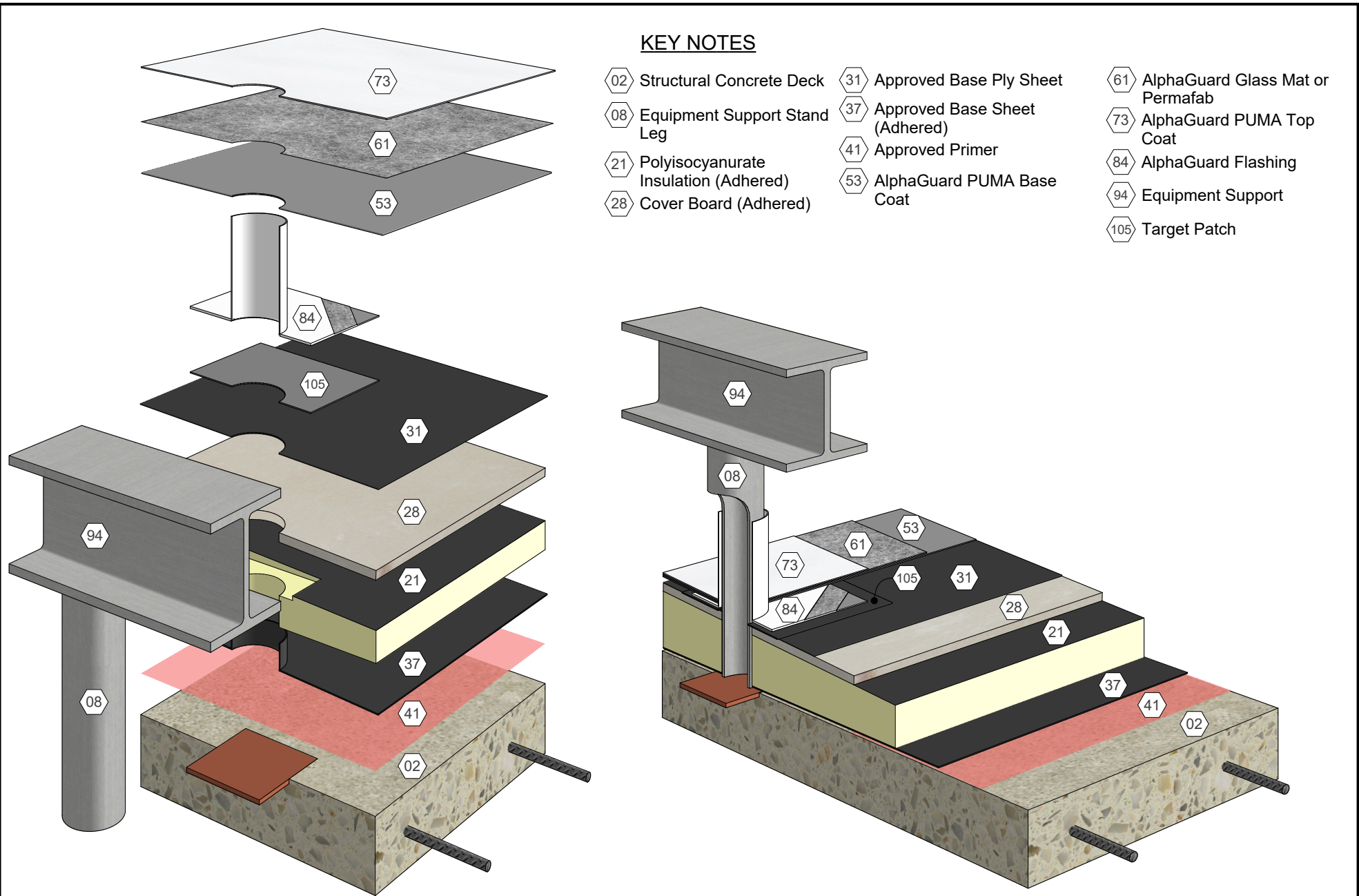


KEY NOTES

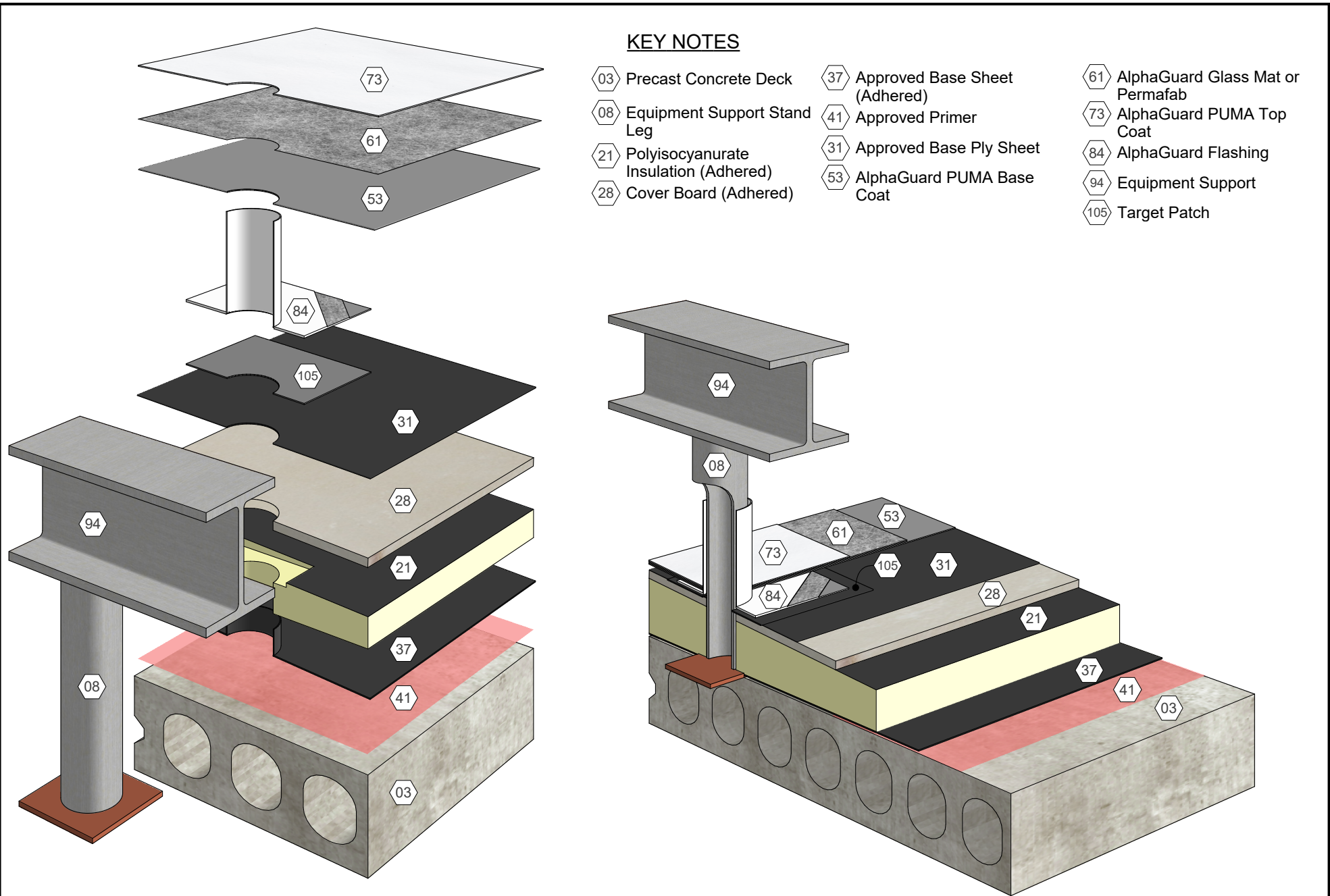
- | | | |
|--|----------------------------------|-------------------------------------|
| 01 Metal Deck | 28 Cover Board (Adhered) | 61 AlphaGuard Glass Mat or Permafab |
| 08 Equipment Support Stand Leg | 31 Approved Base Ply Sheet | 73 AlphaGuard PUMA Top Coat |
| 09 Roof Structure | 37 Approved Base Sheet (Adhered) | 84 AlphaGuard Flashing |
| 22 Polyisocyanurate Insulation (Fastened or Adhered) | 41 Approved Primer | 94 Equipment Support |
| | 53 AlphaGuard PUMA Base Coat | 105 Target Patch |



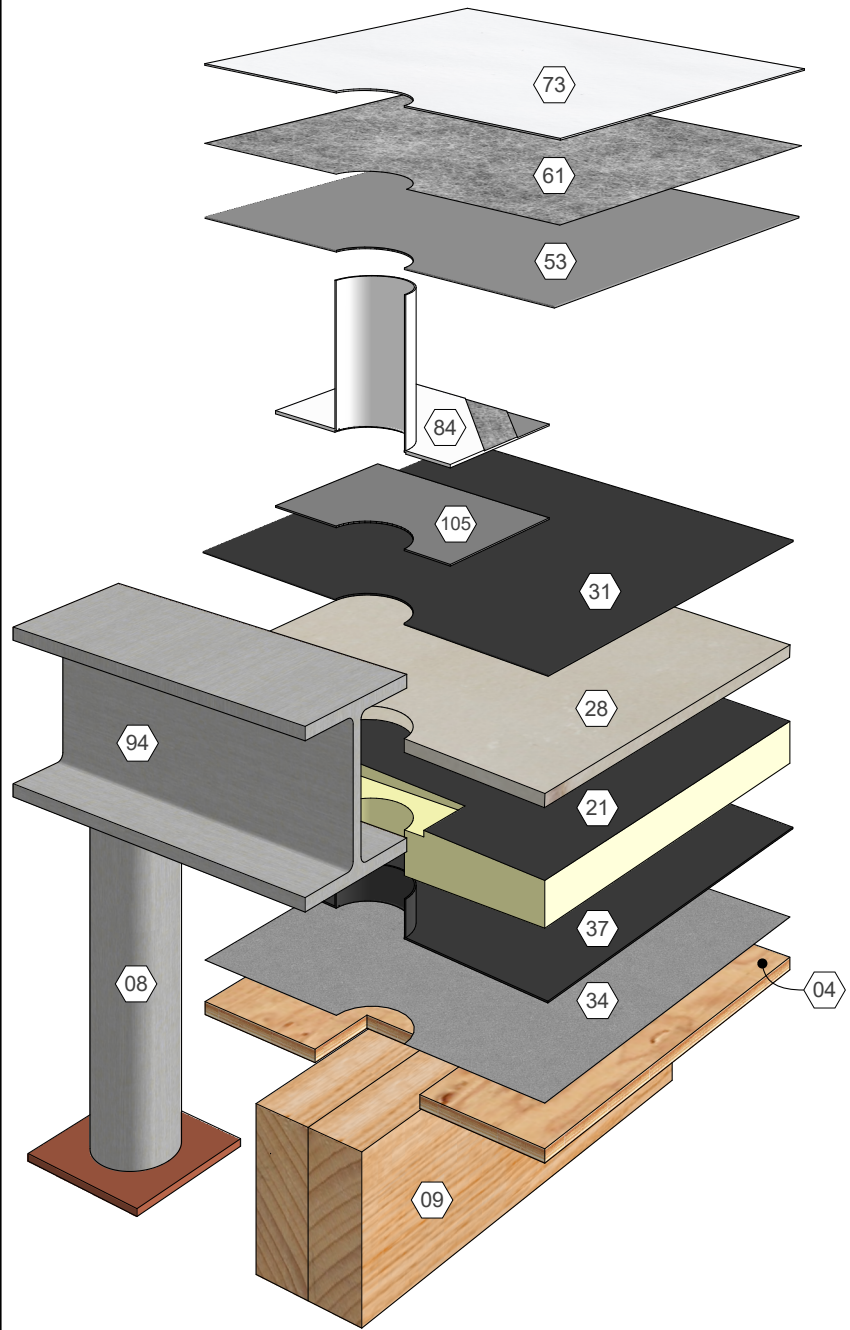
AlphaGuard® PUMA Plus Equipment Support Stand Leg, Temp. Roof, Metal Deck
Detail 34111



AlphaGuard® PUMA Plus Equipment Support Stand Leg, Temp. Roof, Structural Concrete Deck
 Detail 34112

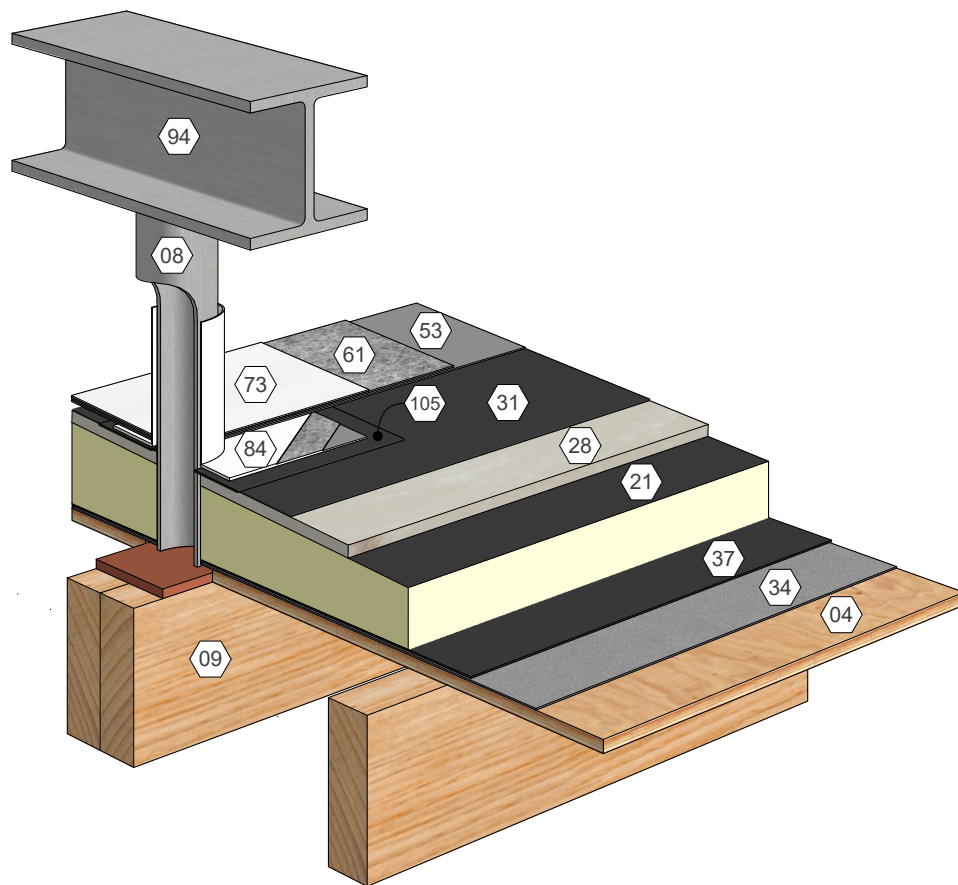


AlphaGuard® PUMA Plus Equipment Support Stand Leg, Temp. Roof, Precast Concrete Deck
Detail 34113

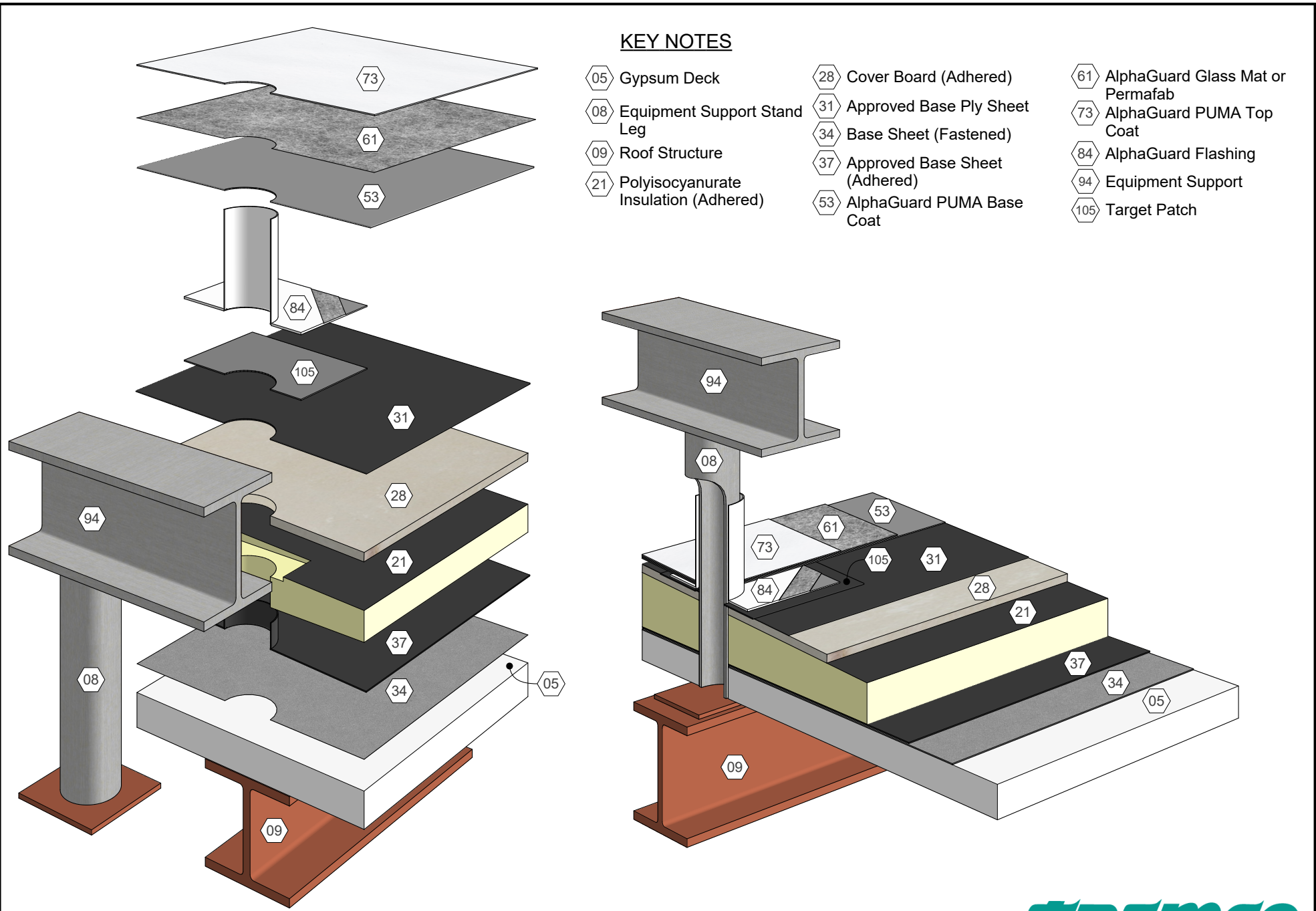


KEY NOTES

- | | | |
|--|----------------------------------|-------------------------------------|
| 04 Wood Deck | 28 Cover Board (Adhered) | 61 AlphaGuard Glass Mat or Permafab |
| 08 Equipment Support Stand Leg | 31 Approved Base Ply Sheet | 73 AlphaGuard PUMA Top Coat |
| 09 Roof Structure | 34 Base Sheet (Fastened) | 84 AlphaGuard Flashing |
| 21 Polyisocyanurate Insulation (Adhered) | 37 Approved Base Sheet (Adhered) | 94 Equipment Support |
| | 53 AlphaGuard PUMA Base Coat | 105 Target Patch |



AlphaGuard® PUMA Plus Equipment Support Stand Leg, Temp. Roof, Wood Deck
Detail 34114



AlphaGuard® PUMA Plus Equipment Support Stand Leg, Temp. Roof, Gypsum Deck
 Detail 34115